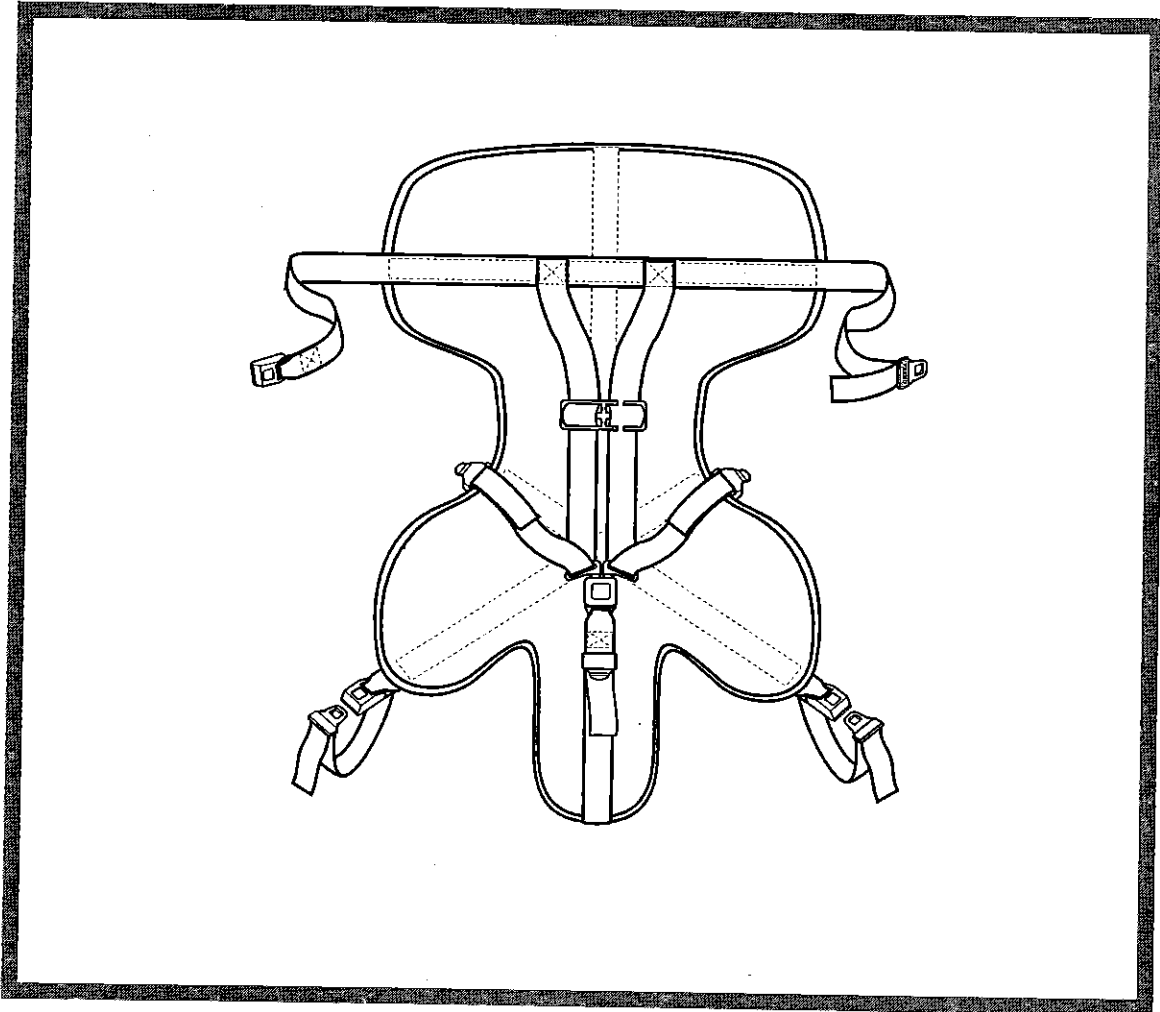




When it's Critical™

Users' Manual



Model 678 Pedi-Mate®

September 2006 GLO

Pub. No. 234-2045-02

Disclaimer

This manual contains general instructions for the use, operation and care of this product. The instructions are not all-inclusive. Safe and proper use of this product is solely at the discretion of the user. Safety information is included as a service to the user. All other safety measures taken by the user should be within and under consideration of applicable regulations. It is recommended that training on the proper use of this product be provided before using this product in an actual situation.

Retain this manual for future reference. Include it with the product in the event of transfer to new users. Additional free copies are available upon request from Customer Relations.

Proprietary Notice

The information disclosed in this manual is the property of Ferno-Washington, Inc., Wilmington, Ohio, USA. Ferno-Washington, Inc. reserves all patent rights, proprietary design rights, manufacturing rights, reproduction use rights, and sales use rights thereto, and to any article disclosed therein except to the extent those rights are expressly granted to others or where not applicable to vendor proprietary parts.

© Copyright Ferno-Washington, Inc. All Rights Reserved.

Ferno-Washington, Inc.
70 Weil Way
Wilmington, OH 45177-9371 U.S.A.

Telephone (Toll Free) 1.877.733.0911
Telephone +1.937.382.1451
Fax (Toll Free) 1.888.388.1349
Fax +1.937.382.6569
Internet www.ferno.com

TABLE OF CONTENTS

Section	Page	Section	Page
1 - Safety Information	4, 5	4.2 General Guidelines for Use	8
1.1 Warning	4	4.3 Preparing the Cot and Pedi-Mate	9
1.2 Important	4	4.4 Securing the Pedi-Mate on a Cot	9
1.3 Bloodborne Disease Notice	4	4.5 Securing the Patient in the Pedi-Mate	10
1.4 Safety and Instruction Labels	4	4.6 Releasing the Patient from the Pedi-Mate	11
1.5 Symbol Glossary	5	4.7 Storing the Pedi-Mate	11
2 - Operator Skills and Training	5	5 - Maintenance	12
2.1 Skills	5	5.1 Maintenance Schedule	12
2.2 Training	5	5.2 Disinfecting the Pedi-Mate	12
3 - About the Pedi-Mate	6, 7	5.3 Cleaning the Pedi-Mate	12
3.1 Pedi-Mate Description	6	5.4 Inspecting the Pedi-Mate	12
3.2 General Specifications	6	6 - Limited Warranty Summary	13
3.3 Components	7	7 - Ferno Customer Relations	13
4 - Using the Pedi-Mate	8-11	Training Record	14
4.1 Before Placing the Pedi-Mate in Service	8	Maintenance Record	15

Illustrations

Symbol Glossary	5	Figure 4 - Fastening a Shoulder Strap	10
Pedi-Mate Components	7	Figure 5 - Shoulder Straps in Chest Clip	10
Figure 1 - Pedi-Mate Positioned on a Cot	9	Figure 6 - Snugging the Straps	10
Figure 2 - Attaching the Pedi-Mate Backrest Strap	9	Figure 7 - Loosening the Straps	10
Figure 3 - Attaching a Strap to the Cot Main Frame	9	Figure 8 - Loosening the Crotch Strap	11
		Maintenance Table	12

1 - SAFETY INFORMATION

1.1 Warning

Warning notices indicate a potentially hazardous situation which, if not avoided, could result in injury or death.

⚠ WARNING

Untrained operators can cause injury or be injured. Permit only trained personnel to apply the Pedi-Mate.

Improper use of the Pedi-Mate can cause injury. Use the Pedi-Mate only for the purpose described in this manual.

Improper application can cause injury. Apply the Pedi-Mate only as described in this manual.

An unattended patient can be injured. Stay with the patient at all times.

Secure and snug all straps.. Unsecured or loose straps may allow movement and result in injury or death of the patient.

Improper maintenance can cause injury. Maintain the Pedi-Mate only as described in this manual.

Modifying the Pedi-Mate can cause injury and damage. Use the Pedi-Mate only as designed by Ferno.

1.2 Important

Important notices emphasize important usage or maintenance information.

Important

Disinfectants and cleaners containing bleach, phenolics, or iodines can damage the Pedi-mate. Do not disinfect or clean the Pedi-Mate with products containing these chemicals.

1.3 Bloodborne Disease Notice

To reduce the risk of exposure to bloodborne diseases such as HIV-1 and hepatitis when using the Pedi-Mate, follow the disinfecting and cleaning instructions in this manual.

1.4 Safety and Instruction Labels

Safety and instruction labels place important information from the Users' Manual on the Pedi-Mate.

Read and follow label instructions. Illustrations showing how to attach the Pedi-Mate to a cot are printed directly on the Pedi-Mate base. For complete instructions, see *Using the Pedi-Mate*, pages 8-11.

1.5 Symbol Glossary

The symbols defined below appear in this users' manual. Ferno uses symbols recognized by the International Standards Organization (ISO), the American National Standards Institute (ANSI), and the emergency medical services industry.



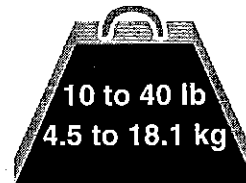
Indicates a general warning of potential injury. Specific warnings are indicated by the words or additional symbols used with the triangle symbol.



Use of the Pedi-Mate requires a minimum of one trained operator.



Read the Users' Manual



The Pedi-Mate load limit is minimum 10 lb (4.5 kg) and maximum 40 lb (18.1 kg).

2 - OPERATOR SKILLS AND TRAINING

2.1 Skills

Operators using the Pedi-Mate need:

- a working knowledge of emergency patient-handling procedures.
- the ability to assist the patient.
- a complete understanding of the procedures described in this manual.

⚠ WARNING

Untrained operators can cause injury or be injured. Permit only trained personnel to apply the Pedi-Mate.

2.2 Training

Trainees need to:

- follow a training program designed by their training officer.
- read this manual. For additional free users' manuals, contact your Ferno distributor or Ferno Customer Relations (page 13).
- practice with the Pedi-Mate before using it in regular service.
- be tested on their understanding of the Pedi-Mate.
- record their training information. A sample training record sheet is provided on page 14.

4 - USING THE PEDI-MATE®

4.1 Before Placing the Pedi-Mate in Service

- Personnel who will work with the Pedi-Mate need to read this manual and practice using the Pedi-Mate.
- Confirm that the Pedi-Mate operates properly. Follow instructions in *Inspecting the Pedi-Mate*, page 12.

4.2 General Guidelines for Use

- Medical advice is beyond the parameters of this manual.
- It is the Pedi-Mate users' responsibility to ensure safe practices for the patient and themselves.
- It is the responsibility of qualified Emergency Medical Service personnel to assess the patient's condition and determine the proper equipment and procedures to use.
- Follow standard emergency patient-handling procedures when using the Pedi-Mate.
- Stay with the patient at all times.
- Always use the the patient harness.
- Use the Pedi-Mate only when all elements are in good working order.
- Use the Pedi-Mate only with the approved cot models listed on page 5.
- **Never** use the Pedi-Mate in a captain's chair or front seat of an ambulance.
- **Never** use the Pedi-Mate as an immobilization device or as part of an immobilization system.
- If the Pedi-Mate is in use at the time of a vehicular accident, remove the Pedi-Mate from service and replace it.

WARNING

Improper application can cause injury. Apply the Pedi-Mate only as described in this manual.

WARNING

An unattended patient can be injured. Stay with the patient at all times.

WARNING

Secure and snug all straps. Unsecured or loose straps may allow movement and result in injury or death of the patient.

4.3 Preparing the Cot and the Pedi-Mate

1. Remove any restraints attached to the cot.
2. Raise the cot backrest and lock it in place at an angle between 15 and 45 degrees. This will keep the patient's shoulders higher than the pelvis and maintain the proper center of gravity.
3. Unroll the Pedi-Mate and spread it flat on the cot mattress with all straps extended.
4. Center the blanket left to right on the mattress
5. Position the blanket with the black backrest strap at the point where you expect the patient's shoulders to rest (Figure 1).
6. Run the ends of the backrest strap around the cot backrest until they meet in back, then fasten the buckle (Figure 2). Leave some slack in the strap for final adjustment.

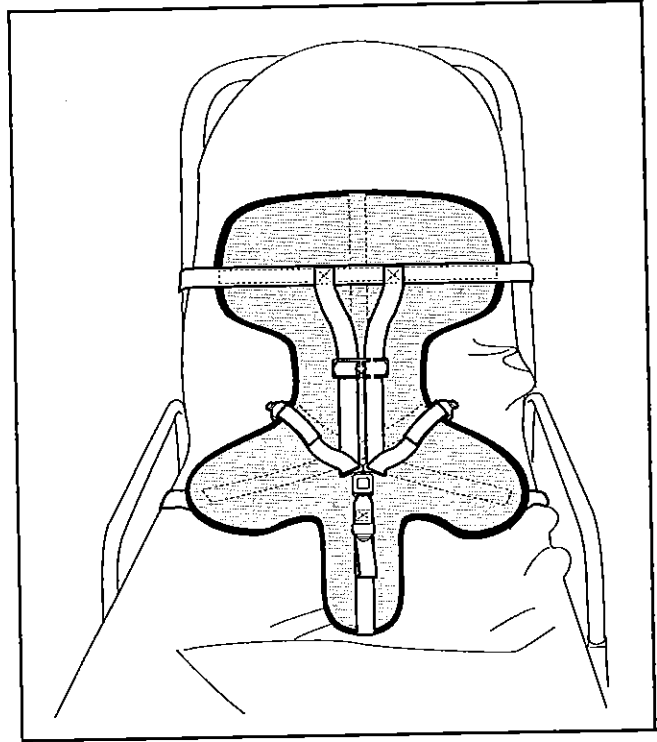


Figure 1 - Pedi-Mate Positioned on a Cot

4.4 Securing the Pedi-Mate On the Cot

1. Place the patient on the Pedi-Mate. If the black backrest strap is not at the patient's shoulder level, adjust the blanket position.
2. With the blanket properly positioned, tighten the backrest strap by pulling very firmly on the free end of the strap until the mattress is compressed.
3. Fasten a main-frame strap by threading the free end downward between the cot main frame and mattress next to the head-end sidearm casting.
4. Wrap the strap up around the cot main frame and fasten the buckle (Figure 3). Leave a little slack in the strap for final adjustment.
5. Repeat with other main-frame strap.
6. Tighten each main-frame strap by holding onto the buckle with one hand and pulling firmly on the free end of the strap.

Note: To loosen a main-frame strap, unfasten it, then grasp the buckle tongue and pull outward. Refasten the buckle.

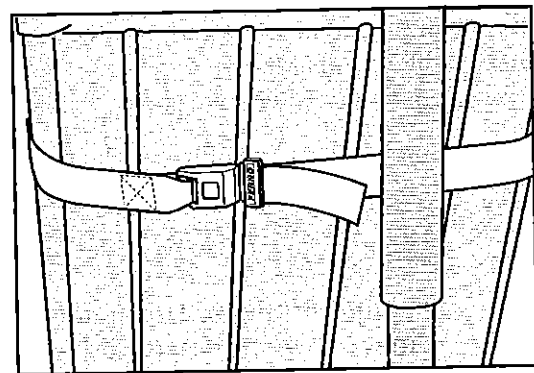


Figure 2 - Attaching the Pedi-Mate Backrest Strap

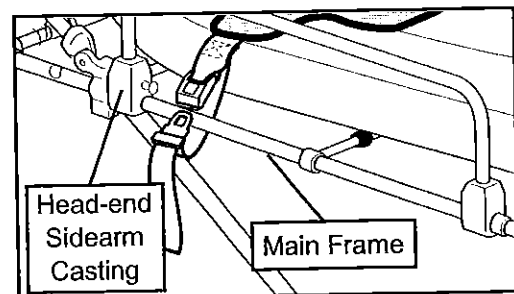


Figure 3 - Attaching a Strap to the Cot Main Frame

4.5 Securing the Patient in the Pedi-Mate Harness

1. Pull the crotch strap buckle up between the patient's legs and lay the strap on the patient's abdomen.
2. Lift a shoulder strap over one shoulder of the patient. Place the patient's arm through the strap, then lock the buckle half into the central buckle (Figure 4).
3. Repeat with the other shoulder strap.
4. Thread the shoulder strap on the patient's left side through the chest clip (Figure 5) and slide the chest clip to armpit level.
5. To snug the shoulder/torso straps, refer to Figure 6 and use the following procedure:
 - Snug the shoulder strap (C) against the shoulder and chest by pulling section A of the strap with one hand while steadying the central buckle with the other hand.
 - Repeat with the other shoulder strap.
 - Snug the torso strap (A) by pulling on section B with one hand while steadying the central buckle with the other hand.
 - Repeat with the other torso strap.
6. Snug the crotch strap by pulling on the free end.

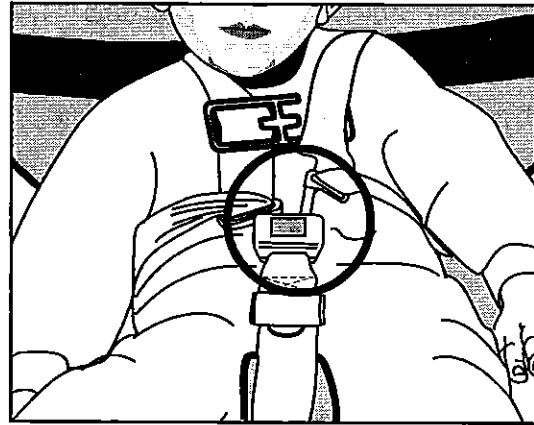


Figure 4 - Fastening a Shoulder Strap

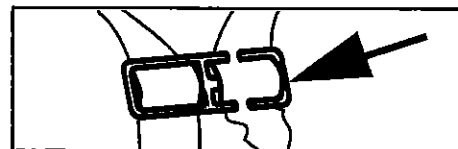


Figure 5 - Shoulder Straps in Chest Clip

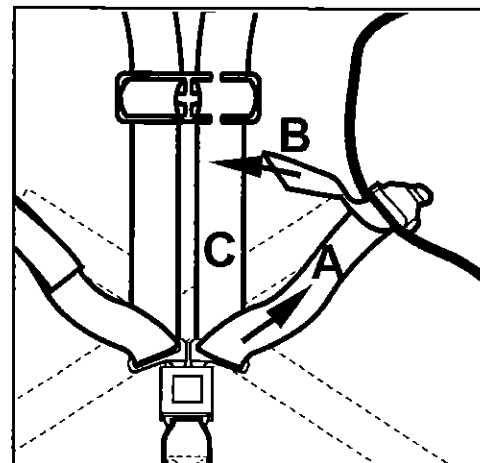


Figure 6 - Snugging the Straps

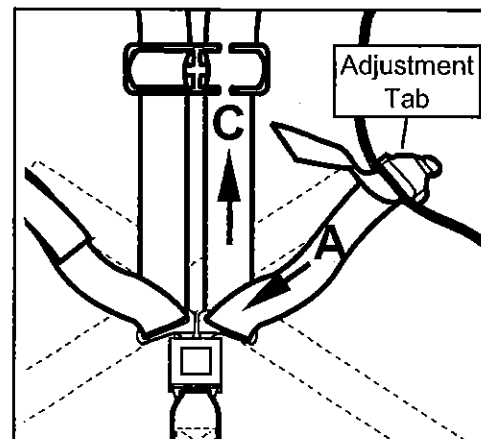


Figure 7 - Loosening the Straps

▲ WARNING

Secure and snug all straps. Unsecured or loose straps may allow movement and result in injury or death of the patient.

LOOSENING THE HARNESS STRAPS

To loosen the straps, refer to Figures 7 and 8 and use the following procedure:

1. Grasp the adjustment tab (Figure 7) with one hand and pull the torso strap (A) back through the tab with your other hand.
2. Steady the central buckle with one hand and loosen the shoulder strap (C) by pulling it upward with the other hand.
3. Repeat with the other shoulder/torso strap.

4. Loosen the crotch strap by grasping the adjustment tab with one hand and pulling downward on the portion of the strap that rests against the body (Figure 8).

4.6 Releasing the Patient from The Pedi-Mate Harness

1. Loosen the crotch strap.
2. Slide the chest clip down toward the central buckle and unthread the shoulder strap on the patient's left side from the clip.
3. Press the red release button in the central buckle and pull the buckle slightly downward to release the shoulder straps from the buckle.
4. Loosen the shoulder straps and slide them away from the patient's body.
5. Lift the patient from the Pedi-Mate according to local protocols.

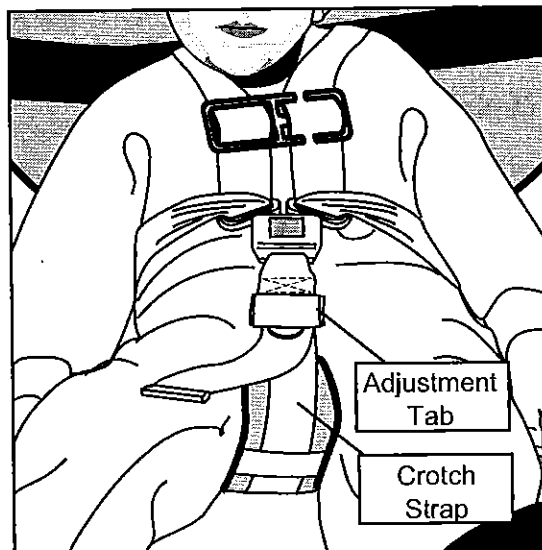


Figure 8 - Loosening the Crotch Strap

4.7 Storing Pedi-Mate

1. Detach the Pedi-Mate from the cot and spread it flat on the cot mattress.
2. Attach the shoulder straps to the central buckle and adjust all straps to lay smoothly against the blanket.
3. Fold the backrest straps across the blanket.
4. Fold the crotch panel up toward the center of the blanket.
5. Fold the cot main-frame straps and the lower blanket panels across the center of the Pedi-Mate.
6. Beginning at the crotch panel, roll the Pedi-Mate upward. Secure the roll with the hook-and-loop straps.

5 - MAINTENANCE

5.1 Maintenance Schedule

The Pedi-Mate requires regular maintenance. Set up and follow a maintenance schedule (see maintenance record sheet on page 15). The table at right represents minimum intervals for maintenance.

When using maintenance products, follow the manufacturers' directions and read the manufacturers' material safety data sheets.

5.2 Disinfecting the Pedi-Mate

Wipe or spray all surfaces of the Pedi-Mate and all straps. Follow the disinfectant manufacturer's directions for application and contact time.

5.3 Cleaning the Pedi-Mate

Hand wash the Pedi-Mate blanket and all straps with warm, soapy water and a clean cloth or soft brush. Rinse with clear water. Dry the blanket with a towel and allow the straps to air dry.

Do not immerse the buckles in water.

5.4 Inspecting the Pedi-Mate

Have your service's equipment maintenance personnel inspect the Pedi-Mate. Follow the inspection checklist.

If the inspection shows damage or excessive wear, remove the Pedi-Mate from service. Ferno recommends that in addition to scheduled maintenance, operators perform a visual inspection each time the Pedi-Mate is used. If damage is noted, remove the Pedi-Mate from service immediately and replace it.

INSPECTION CHECKLIST

- Are all components present?
- Is the Pedi-Mate free of excessive wear?
- Is all stitching secure?
- Do the central buckle and adjustment tabs operate properly and smoothly?
- Are there cuts or tears in the blanket or straps?

Minimum Intervals For Maintenance	Each Use	As Needed	Each Month
Disinfecting (this page)	•		
Cleaning (this page)		•	
Inspecting (this page)		•	•

WARNING

Improper maintenance can cause injury. Maintain the Pedi-Mate only as described in this manual.

WARNING

Modifying the Pedi-Mate can cause injury and damage. Use the Pedi-Mate only as designed by Ferno.

Important

Disinfectants and cleaners containing bleach, phenolics, or iodines can damage the Pedi-mate. Do not disinfect or clean the Pedi-Mate with products containing these chemicals.

Important

If the Pedi-Mate is in use at the time of a vehicular accident remove the Pedi-Mate from service and replace it.

6 - LIMITED WARRANTY SUMMARY

Ferno products are warranted to be free from defects in material and workmanship for a period of one year, except:

- External finishes (gelcoat, paint, powdercoat, decals, etc.) are warranted for 90 days.
- Soft goods (webbing, vinyl, fabric, foam, etc.) are warranted for 90 days.
- Fiberglass AquaCiser tanks are warranted against leakage for 5 years.
- Stainless whirlpool tanks are warranted against tank shell leakage and corrosion for 5 years.
- Mortuary products (except hydraulic parts and soft goods) are warranted for 2 years.
- Ambulance cots and ambulance transporters (except external finish and soft goods) are warranted for 2 years.
- EZ Glide™ Chairs are warranted for 2 years.
- EMS bags (replaceable bottom excluded) and backboards are warranted for lifetime replacement. (Damage caused by accident, abuse, misuse or improper care will be repaired at a reasonable charge for which you will be informed prior to the repair work being done.)
- Integrated Charging System (ICS) is warranted for 2 years.

Ferno repairs are warranted for 90 days from the date of repair.

This limited warranty applies only when the product is used as described in the instructions provided. The warranty period begins when the product is shipped from Ferno or when you receive it if you have proof of delivery. Shipping charges are not covered by this limited warranty. Ferno is not liable for shipping damages or damages sustained through using the product.

Non-Ferno products sold by Ferno retain the product manufacturer's original warranties. Ferno offers no warranties of any kind additional to those of the product manufacturer, nor does Ferno assume any liability for products manufactured by others.

Limited Warranty Obligation

If a product is proven defective, Ferno will repair or replace it, or, at our option, refund the item's purchase price. In no event is Ferno liable for more than the selling price of the product. The purchaser accepts these terms in lieu of all damages.

This is a summary of the limited warranty. The actual terms and conditions of the limited warranty, and the limitations of liability and disclaimers, are available upon request by calling 1.800.733.3766 or 1.937.382.1451.

7 - FERNO CUSTOMER RELATIONS

Customer service and product support are important aspects of each Ferno product.

Please have the date of manufacture of your Pedi-Mate available when calling Ferno Customer Relations, and include it in all written communications.

The coded date of manufacture is stamped on the Pedi-Mate label sewn to the back side of the Pedi-Mate blanket.

For assistance, please contact Ferno Customer Relations:

Telephone (Toll-free).....	1.877.733.0911
Telephone	1.937.382.1451
Fax (Toll-free)	1.888.388.1349
Fax	1.937.382.6569
Internet.....	www.ferno.com

